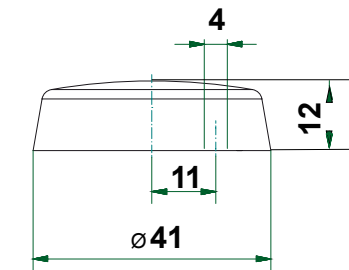


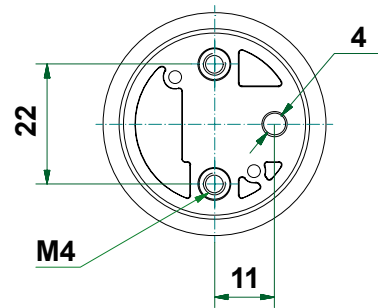
Scale drawing

KBS 01/02

KBS 01

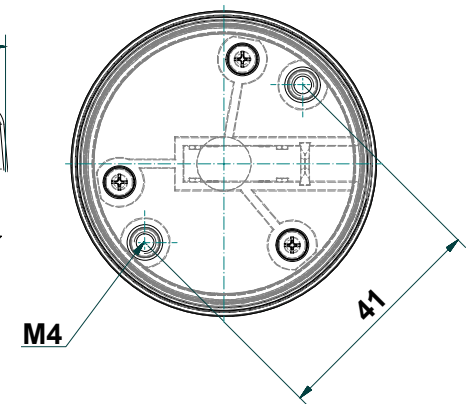
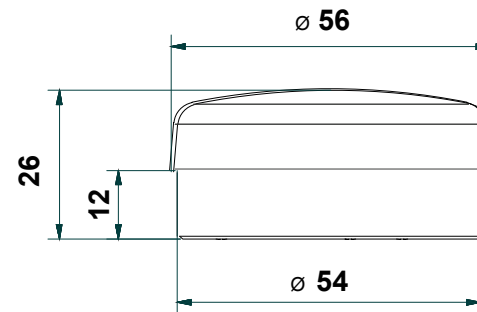


cable exit down



With 2 press nuts for M4 screws. Max. Screw depth 4mm.

KBS 02



With 2 press nuts for M4 screws. Max. Screw depth 5mm.