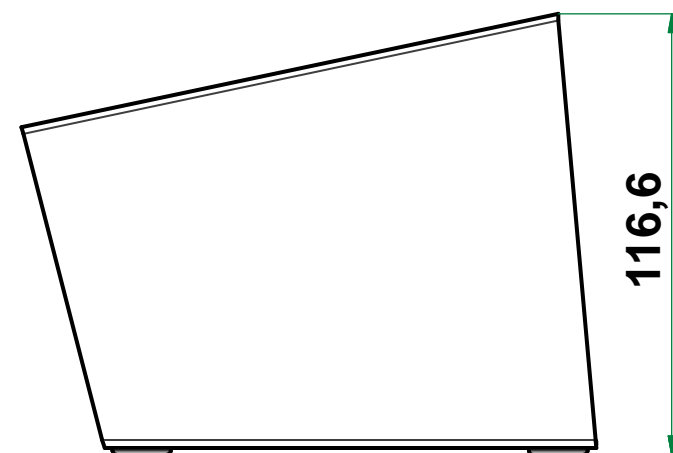
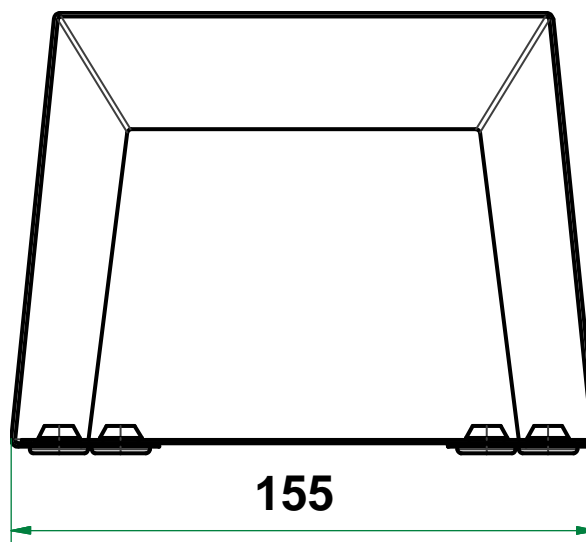
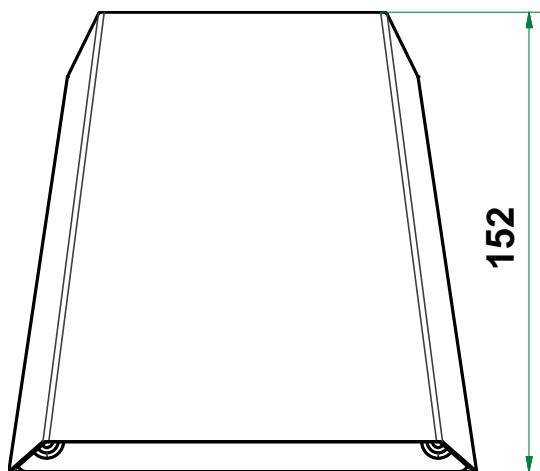




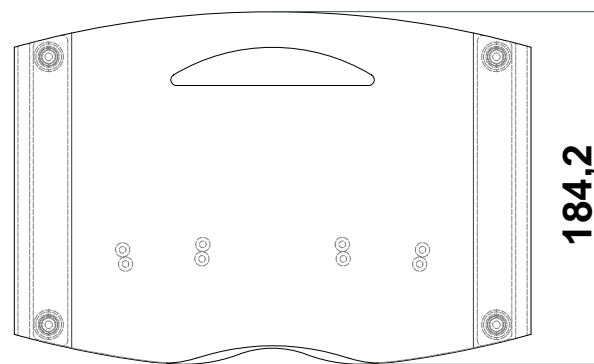
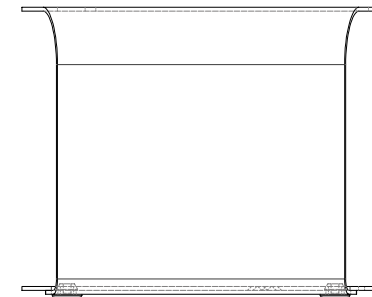
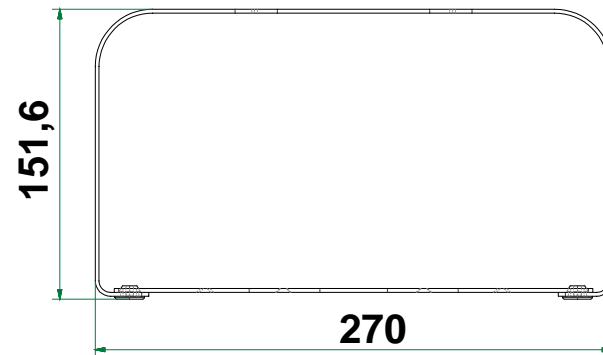
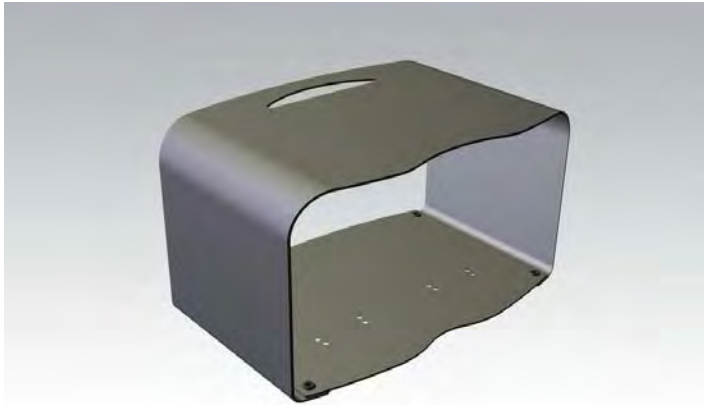
4.69C.0001

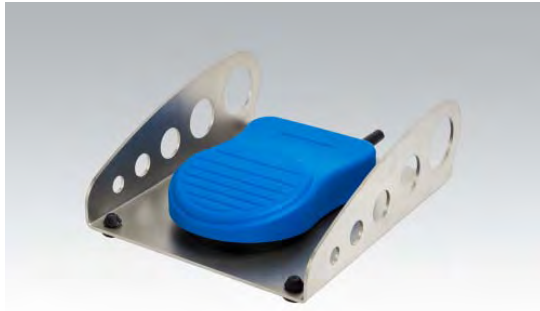
- Guard steel powdercoated in RAL 7035, with anti slip rubber feets,
- for EFS01 and KFS03 footswitches



4.69C.0018

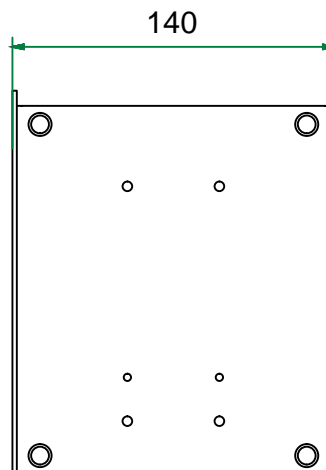
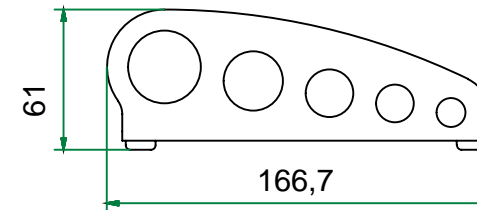
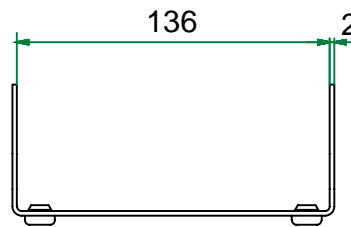
- Stainless steel guard powder coated RAL 7035,
with anti slip rubber feets,
- for use with KMP02 footswitch panels





4.69C.0005

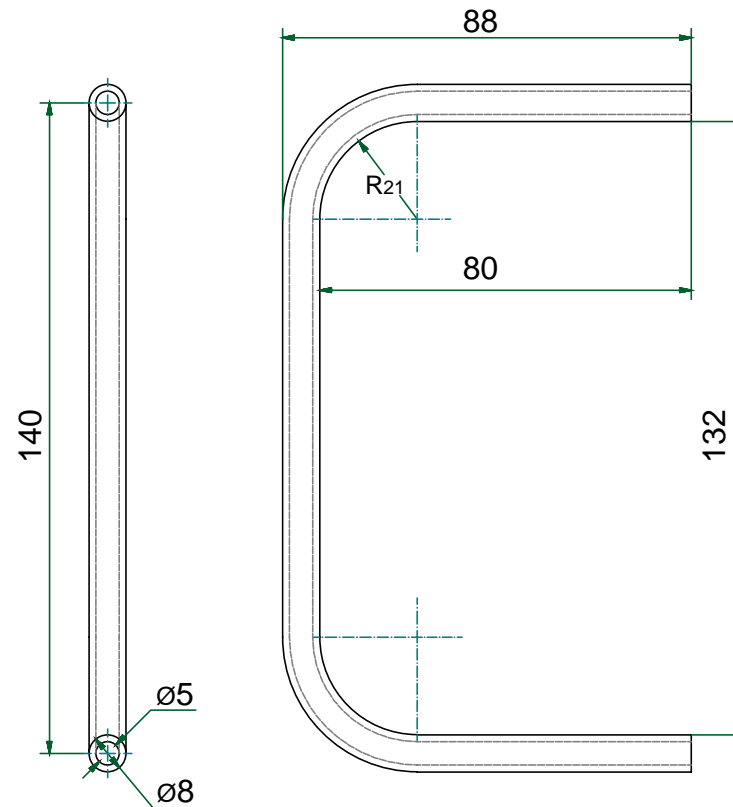
- Assembly tray stainless steel with anti slip rubber feet
- for EFS01 and KFS03 footswitches





4.69C.0016

- Handle bar made of stainless steel
- for KMP02 footswitch panel



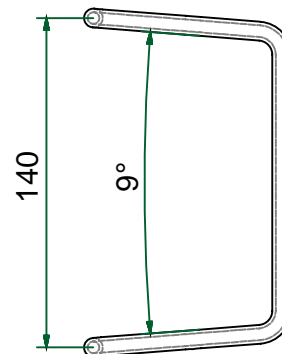
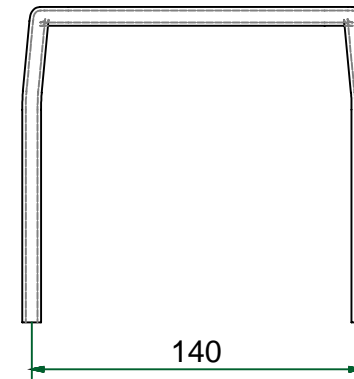
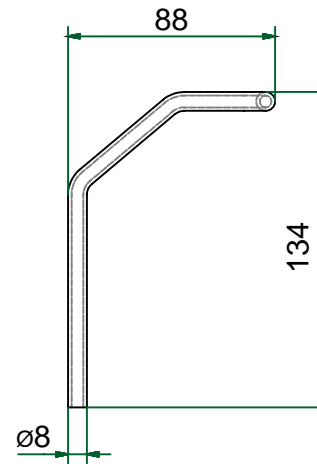


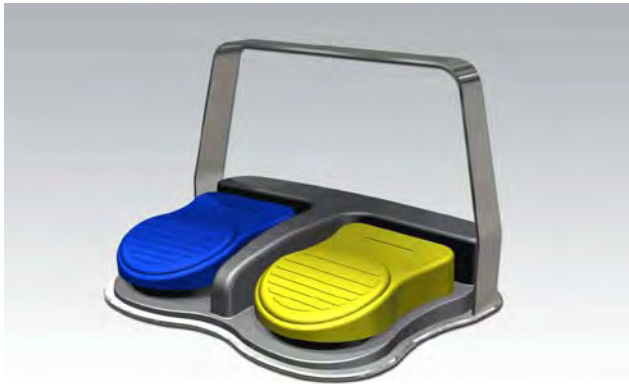
4.69C.0017

- Handle bar stainless steel
- for KMP02 footswitch panel



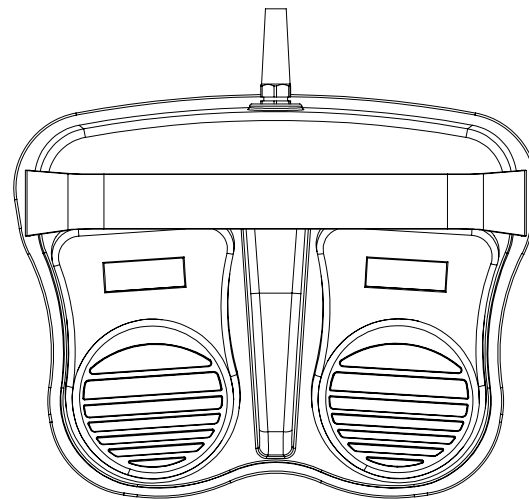
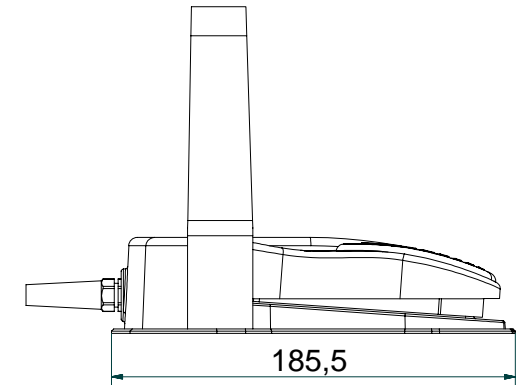
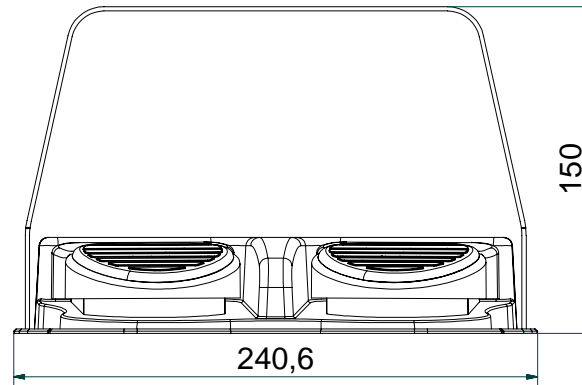
Handle bar 4.69C.0017 only with
option Stainless steel baseplate





4.69C.0019

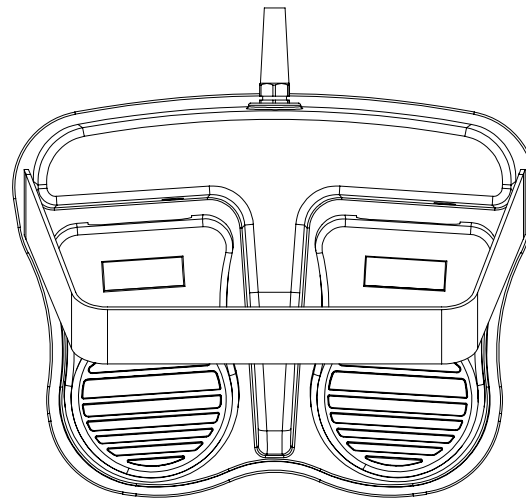
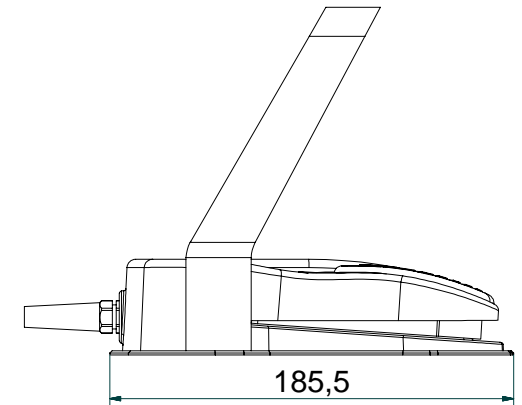
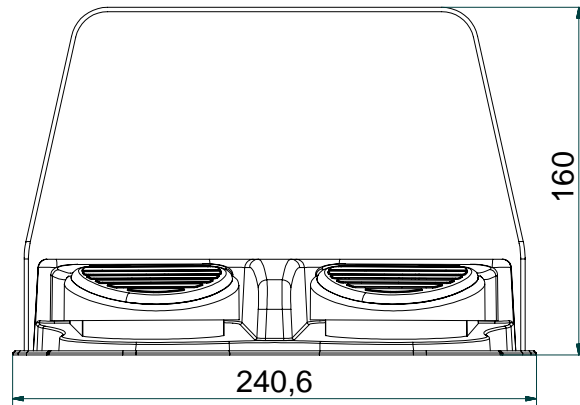
- Baseplate with handle bar, stainless steel
- for KMP02 footswitch panel



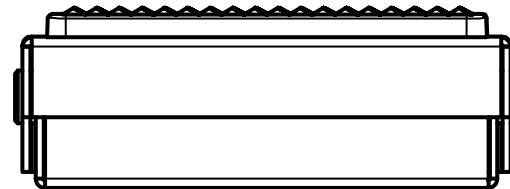
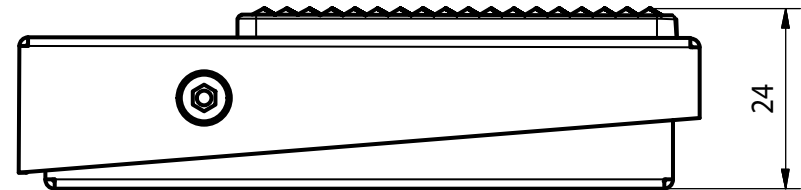
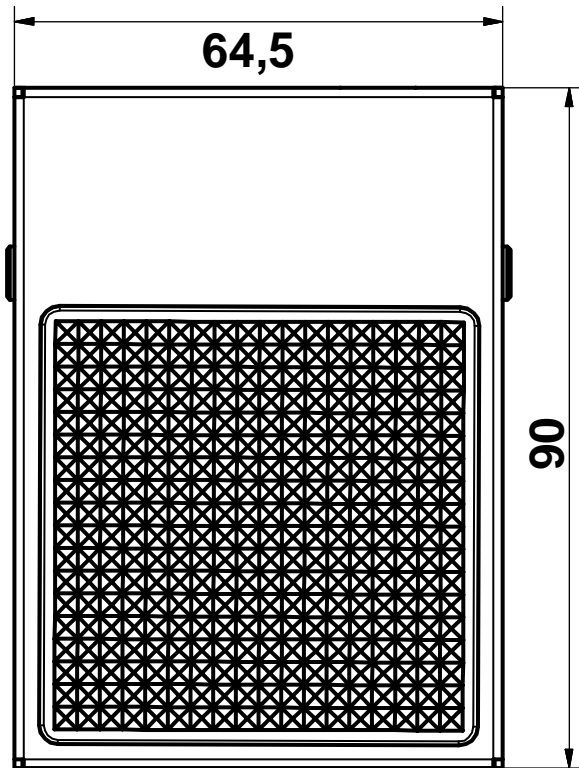


4.69C.0020

- Baseplate with handle bar, stainless steel
- for KMP02 footswitch panel

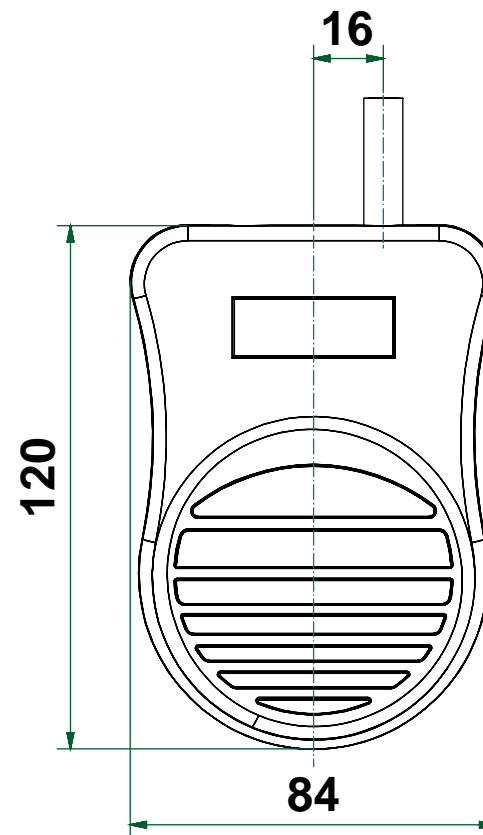


Scale drawing
EFS 01

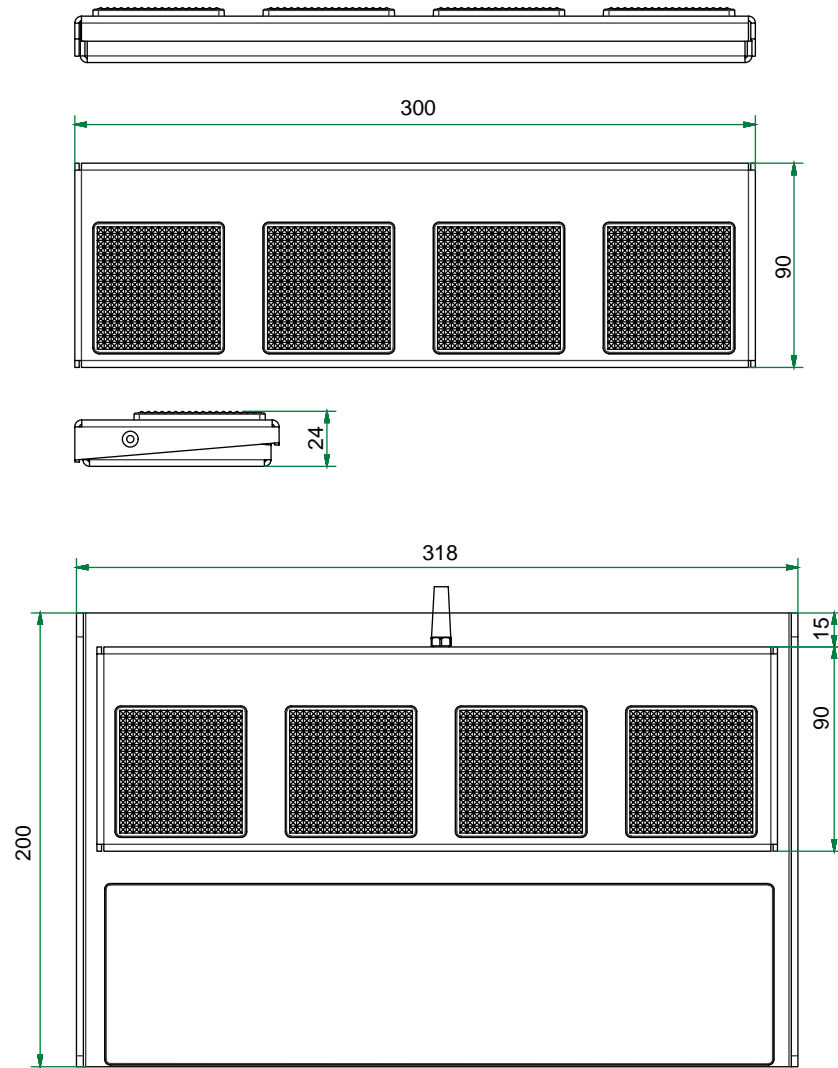


Scale drawing

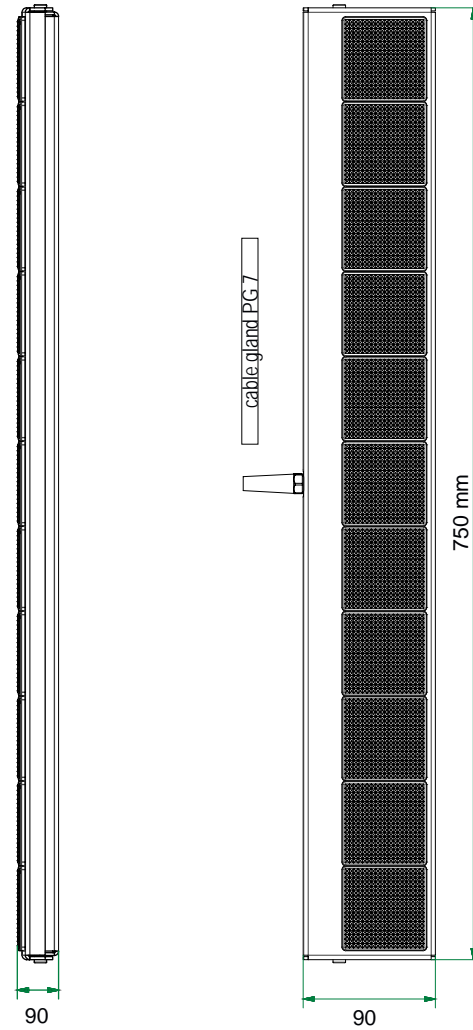
KFS 03



Scale drawing
SFS 300

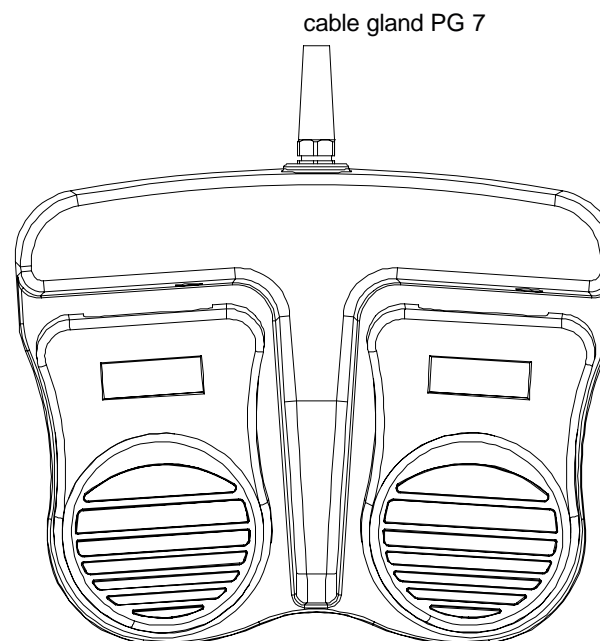
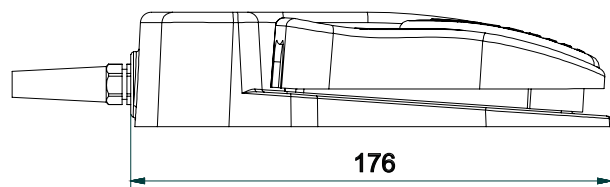
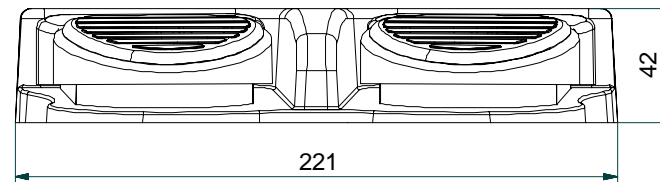


Scale drawing
SFS Maxi



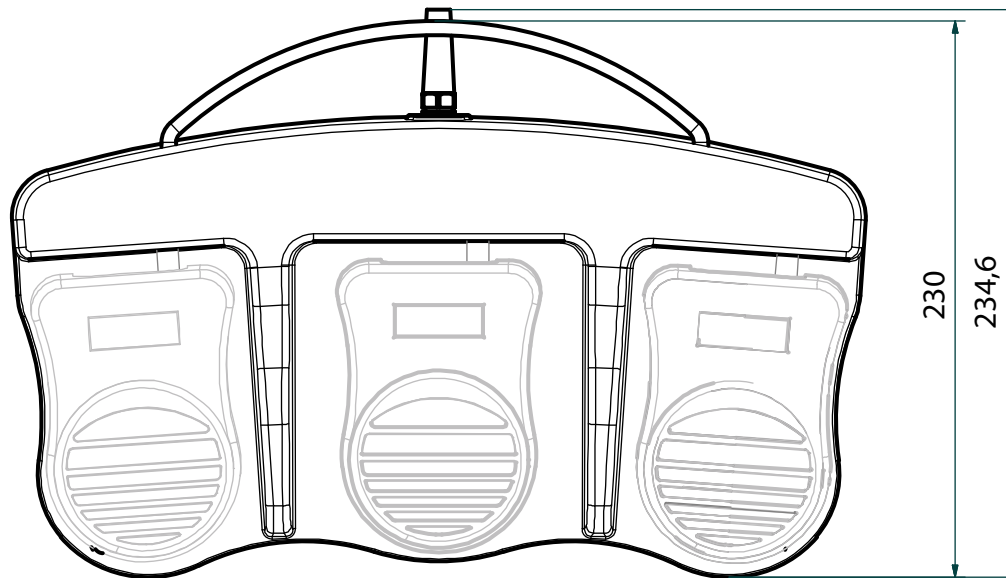
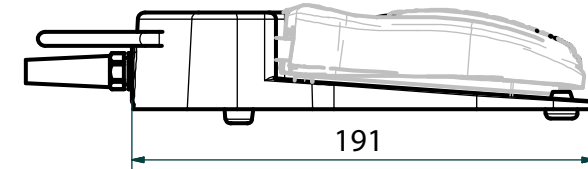
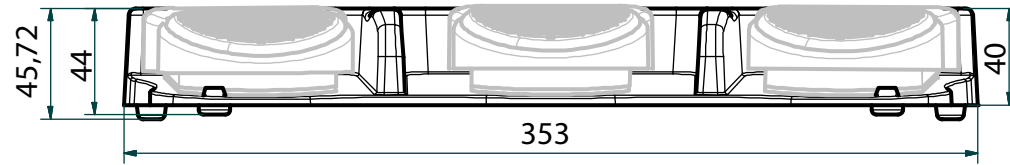


Scale drawing
KMP 02



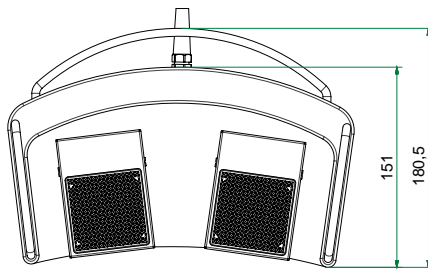
Scale drawing

AMP 03

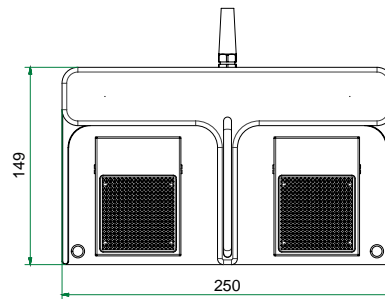


Cable gland for all versions PG 7

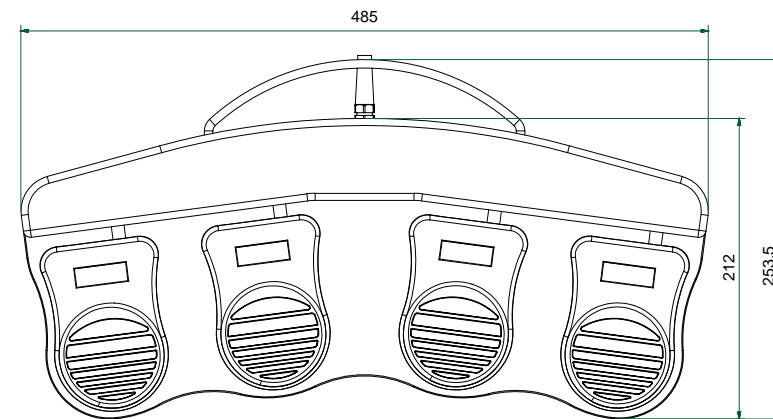
1. 4.69C.0007



2. 4.69C.0008

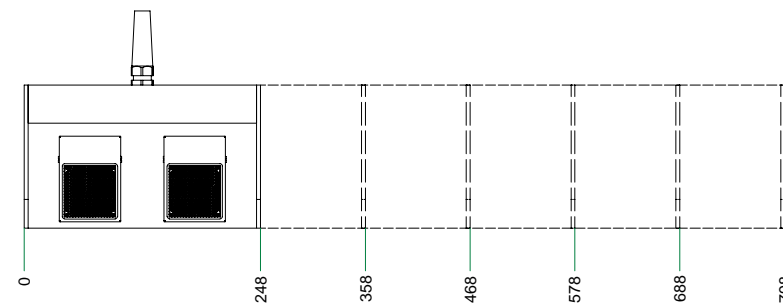
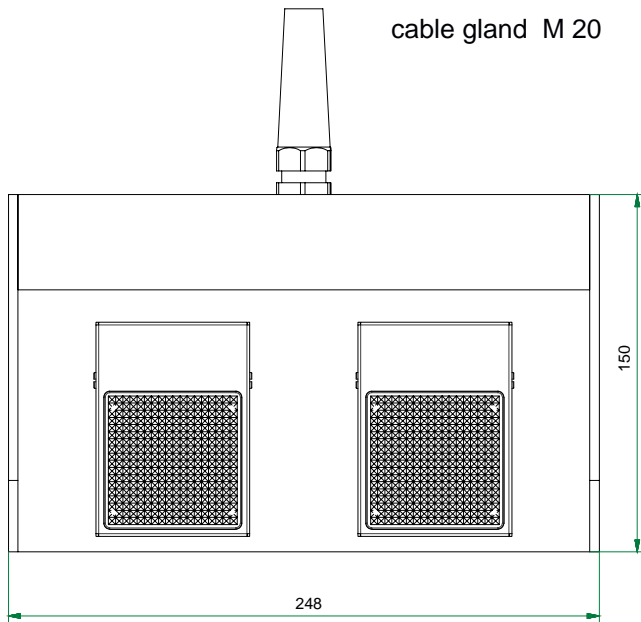
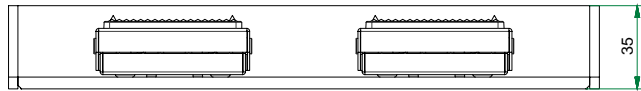


5. 4.69C.0011



Scale drawing

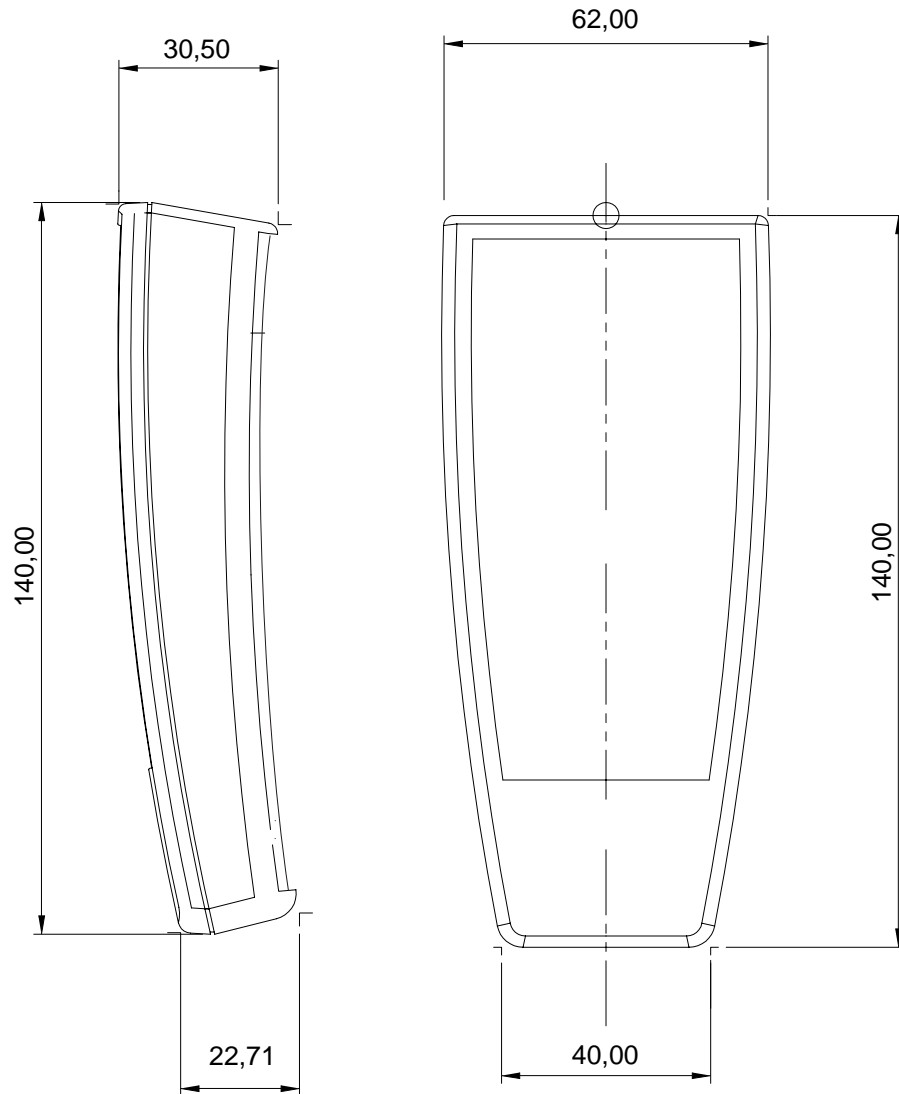
AMP 02



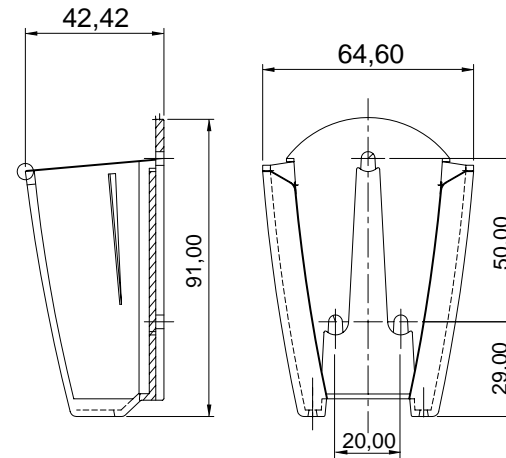
Scale drawing

KHS 01

Accessories

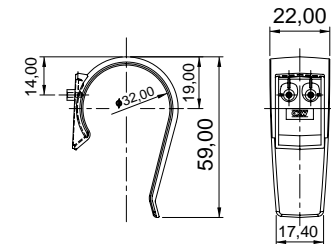
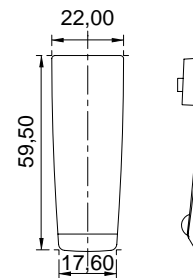


1. 4.69C.0012



2. 4.69C.0013

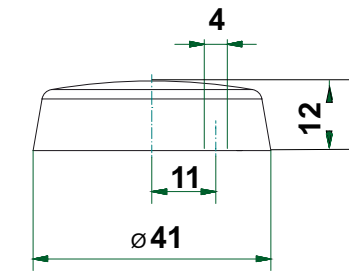
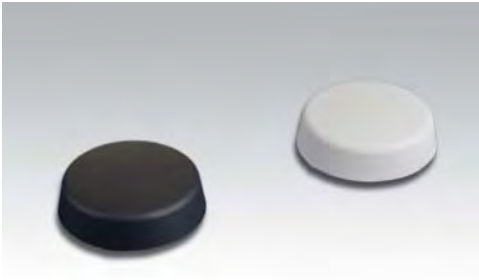
3. 4.69C.0014



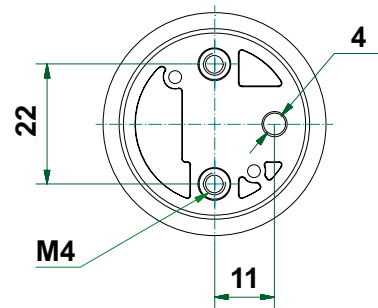
Scale drawing

KBS 01/02

KBS 01

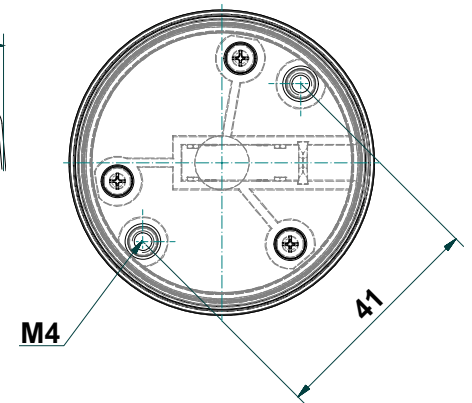
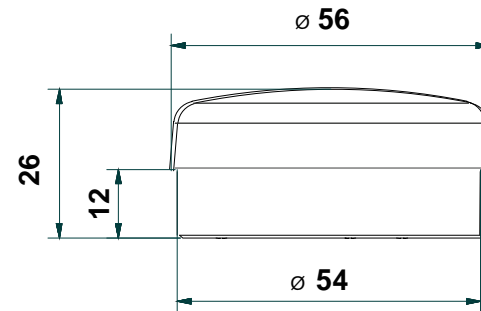


cable exit down



With 2 press nuts for M4 screws. Max. Screw depth 4mm.

KBS 02



With 2 press nuts for M4 screws. Max. Screw depth 5mm.